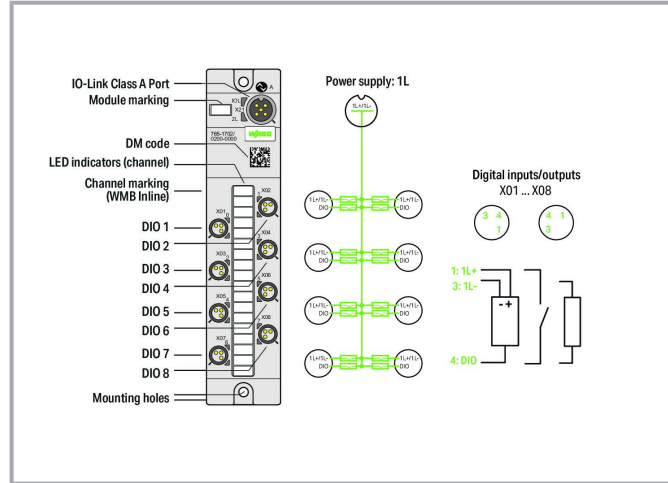


Data sheet | Item number: 765-1702/200-000

8-channel digital input/output; IO Link Class A Hub; DC 24 V / 2.0 A; 8xM8 connection; HubLine



www.wago.com/765-1702/200-000



Data

Technical data

IO-Link

Communication

IO-Link Class A Slave

IO-Link Class A Slave

Connection technology: communication/fieldbus

1 x A-coded M12; 5-pole

Device Functions

Parameters

Input filter

Output current

Temperature

Diagnostics

Undervoltage; Overcurrent; Overload; Overtemperature

Subject to changes. Please also observe the further product documentation!

WAGO GmbH & Co. KG

Hansastr. 27

32423 Minden

Phone: +49571 887-0 | Fax: +49571 887-169

Email: info.de@wago.com | Web: www.wago.com

Do you have any questions about our products?

We are always happy to take your call at +49 (571) 887-44222.

Digital inputs/outputs

| | |
|---------------------------------------|-------------------------|
| Number of digital inputs | 8 |
| Number of digital outputs | 8 |
| Connection technology: inputs/outputs | 8 x M8; 3-pole |
| Voltage signal type | 24 VDC |
| Input characteristic | High-side switching |
| Input filter | 0.2 ... 20 ms |
| Input characteristic | Type 3, per IEC 61131-2 |
| Output current (per channel) | 2 A |

Power Supply

| | |
|-------------------------------|--|
| Connection technology: supply | 1 x A-coded M12; 5-pole; via IO-Link port (1L) |
| Supply voltage | 24 VDC (18 ... 31.2 V); 1L |
| Power consumption (max.) | 4000 mA |
| Power consumption (note) | 1L: 0.2 A + load current |
| Reverse voltage protection | Yes |

Geometrical Data

| | |
|--------|----------------------|
| Width | 35 mm / 1.378 inch |
| Height | 30 mm / 1.181 inch |
| Depth | 158.5 mm / 6.24 inch |

Mechanical Data

| | |
|--------------------|-------|
| Weight | 120 g |
| Conformity marking | CE |

Environmental Requirements

| | |
|---|---|
| Surrounding air temperature (operation) | -25 ... +70 °C |
| Surrounding air temperature (storage) | -40 ... +80 °C |
| Protection type | IP67 |
| Protection class | III per EN 61140, IEC 61140, VDE 0140-1 |
| Operating altitude | 0 ... 2000 m |
| Pollution degree (5) | 3 per EN 60664-1 |
| Overvoltage category | II (EN 60664-1) |
| Vibration resistance | 5g per IEC 60068-2-6 |

Subject to changes. Please also observe the further product documentation!



| | |
|------------------------------|--|
| Shock resistance | Short-term: 50g/11 ms/half-sine per IEC 60068-2-27; Long-term: 30g/6 ms/half-sine per IEC 60068-2-29 |
| EMC immunity to interference | per EN 61000-6-2 |
| EMC emission of interference | per EN 61000-6-4 |

Commercial data


| | |
|-----------------------|---------------|
| PU (SPU) | 1 Stück |
| Packaging type | box |
| Country of origin | DE |
| GTIN | 4055143950039 |
| Customs tariff number | 85371098990 |

Required accessories

Marking accessories

| | | |
|---|---|--|
| Marking strip | | |
|  | Item no.: 2009-110 Marking strips; for Smart Printer; on reel; not stretchable; plain; snap-on type; white | www.wago.com/2009-110 |
| Marker | | |
|  | Item no.: 2009-115 WMB-Inline; for Smart Printer; 1500 pieces on roll; stretchable 5 - 5.2 mm; plain; snap-on type; white | www.wago.com/2009-115 |

Cover

| | | |
|---|--|--|
| Cover | | |
|  | Item no.: 756-8103 M12 protective cap; for unused plugs | www.wago.com/756-8103 |
| | Item no.: 756-8101 M8 protective cap; for unused sockets | www.wago.com/756-8101 |

Tool

| | | |
|---------------|--|--|
| Assembly tool | | |
| | Item no.: 206-701 Torque wrench M8 and M12; Assembly kit | www.wago.com/206-701 |

Optional accessories

Cables and pluggable connectors

| | | |
|-----------------------|---|--|
| Sensor/actuator cable | | |
| | Item no.: 756-5402/050-010 Sensor/Actuator cable; M12A socket; straight; M12A plug; angled; 5-pole; Length: 1 m | www.wago.com/756-5402/050-010 |

Subject to changes. Please also observe the further product documentation!

Item no.: 756-5501/030-020

Sensor/Actuator cable; M12A socket; straight; M8 plug; straight; 3-pole; Length: 2 m

www.wago.com/756-5501/030-020



Item no.: 756-5502/030-010

Sensor/Actuator cable; M12A socket; straight; M8 plug; angled; 3-pole; Length: 1 m

www.wago.com/756-5502/030-010



Item no.: 756-5502/030-020

Sensor/Actuator cable; M12A socket; straight; M8 plug; angled; 3-pole; Length: 2 m

www.wago.com/756-5502/030-020

Item no.: 756-5503/030-010

Sensor/Actuator cable; M12A socket; angled; M8 plug; straight; 3-pole; Length: 1 m

www.wago.com/756-5503/030-010

Item no.: 756-5503/030-020

Sensor/Actuator cable; M12A socket; angled; M8 plug; straight; 3-pole; Length: 2 m

www.wago.com/756-5503/030-020

Item no.: 756-5301/050-015

Sensor/Actuator cable; M12A socket; straight; 5-pole; Length: 1.5 m

www.wago.com/756-5301/050-015

Item no.: 756-5111/030-015

Sensor/Actuator cable; M8 plug; straight; 3-pole; Length: 1.5 m

www.wago.com/756-5111/030-015

Item no.: 756-5111/030-050

Sensor/Actuator cable; M8 plug; straight; 3-pole; Length: 5 m

www.wago.com/756-5111/030-050

Item no.: 756-5111/030-100

Sensor/Actuator cable; M8 plug; straight; 3-pole; Length: 10 m

www.wago.com/756-5111/030-100

Item no.: 756-5112/030-100

Sensor/Actuator cable; M8 plug; angled; 3-pole; Length: 10 m

www.wago.com/756-5112/030-100

Item no.: 756-5112/030-015

Sensor/Actuator cable; M8 plug; angled; 3-pole; Length: 1.5 m

www.wago.com/756-5112/030-015

Item no.: 756-5112/030-050

Sensor/Actuator cable; M8 plug; angled; 3-pole; Length: 5 m

www.wago.com/756-5112/030-050

Item no.: 756-5302/050-050

Sensor/Actuator cable; M12A socket; angled; 5-pole; Length: 5 m

www.wago.com/756-5302/050-050

Subject to changes. Please also observe the further product documentation!

WAGO GmbH & Co. KG

Hansastr. 27

32423 Minden

Phone: +49571 887-0 | Fax: +49571 887-169

Email: info.de@wago.com | Web: www.wago.com

Do you have any questions about our products?

We are always happy to take your call at +49 (571) 887-44222.

Item no.: 756-5302/050-100

Sensor/Actuator cable; M12A socket; angled; 5-pole; Length: 10 m

www.wago.com/756-5302/050-100

Item no.: 756-5404/050-020

Sensor/Actuator cable; M12A socket; angled; M12A plug; angled; 5-pole; Length: 2 m

www.wago.com/756-5404/050-020

Item no.: 756-5404/050-010

Sensor/Actuator cable; M12A socket; angled; M12A plug; angled; 5-pole; Length: 1 m

www.wago.com/756-5404/050-010

Item no.: 756-5201/030-010

Sensor/Actuator cable; M8 socket; straight; M8 plug; straight; 3-pole; Length: 1 m

www.wago.com/756-5201/030-010

Item no.: 756-5201/030-020

Sensor/Actuator cable; M8 socket; straight; M8 plug; straight; 3-pole; Length: 2 m

www.wago.com/756-5201/030-020

Item no.: 756-5202/030-020

Sensor/Actuator cable; M8 socket; straight; M8 plug; angled; 3-pole; Length: 2 m

www.wago.com/756-5202/030-020

Item no.: 756-5202/030-010

Sensor/Actuator cable; M8 socket; straight; M8 plug; angled; 3-pole; Length: 1 m

www.wago.com/756-5202/030-010

Item no.: 756-5203/030-010

Sensor/Actuator cable; M8 socket; angled; M8 plug; straight; 3-pole; Length: 1 m

www.wago.com/756-5203/030-010

Item no.: 756-5203/030-020

Sensor/Actuator cable; M8 socket; angled; M8 plug; straight; 3-pole; Length: 2 m

www.wago.com/756-5203/030-020

Item no.: 756-5302/050-015

Sensor/Actuator cable; M12A socket; angled; 5-pole; Length: 1.5 m

www.wago.com/756-5302/050-015



Item no.: 756-5204/030-020

Sensor/Actuator cable; M8 socket; angled; M8 plug; angled; 3-pole; Length: 2 m

www.wago.com/756-5204/030-020



Item no.: 756-5204/030-010

Sensor/Actuator cable; M8 socket; angled; M8 plug; angled; 3-pole; Length: 1 m

www.wago.com/756-5204/030-010

Item no.: 756-5501/030-010

Sensor/Actuator cable; M12A socket; straight; M8 plug; straight; 3-pole; Length: 1 m

www.wago.com/756-5501/030-010

Subject to changes. Please also observe the further product documentation!

WAGO GmbH & Co. KG

Hansastr. 27

32423 Minden

Phone: +49571 887-0 | Fax: +49571 887-169

Email: info.de@wago.com | Web: www.wago.com

Do you have any questions about our products?

We are always happy to take your call at +49 (571) 887-44222.

Item no.: 756-5402/050-020
Sensor/Actuator cable; M12A socket; straight; M12A plug; angled; 5-pole; Length: 2 m

www.wago.com/756-5402/050-020

Item no.: 756-5403/050-020
Sensor/Actuator cable; M12A socket; angled; M12A plug; straight; 5-pole; Length: 2 m

www.wago.com/756-5403/050-020

Item no.: 756-5403/050-010
Sensor/Actuator cable; M12A socket; angled; M12A plug; straight; 5-pole; Length: 1 m

www.wago.com/756-5403/050-010

Item no.: 756-5301/050-100
Sensor/Actuator cable; M12A socket; straight; 5-pole; Length: 10 m

www.wago.com/756-5301/050-100

Item no.: 756-5301/050-050
Sensor/Actuator cable; M12A socket; straight; 5-pole; Length: 5 m

www.wago.com/756-5301/050-050

Item no.: 756-5401/050-010
Sensor/Actuator cable; M12A socket; straight; M12A plug; straight; 5-pole; Length: 1 m

www.wago.com/756-5401/050-010

Item no.: 756-5401/050-020
Sensor/Actuator cable; M12A socket; straight; M12A plug; straight; 5-pole; Length: 2 m

www.wago.com/756-5401/050-020

Item no.: 756-5504/030-010
Sensor/Actuator cable; M12A socket; angled; M8 plug; angled; 3-pole; Length: 1 m

www.wago.com/756-5504/030-010

Item no.: 756-5504/030-020
Sensor/Actuator cable; M12A socket; angled; M8 plug; angled; 3-pole; Length: 2 m

www.wago.com/756-5504/030-020

Configurable connectors

Item no.: 756-9102/030-000
Fitted pluggable connector; 3-pole; M8 plug, straight; IDC technology

www.wago.com/756-9102/030-000



Item no.: 756-9105/030-000
Fitted pluggable connector; 3-pole; M8 plug, right angle; IDC technology

www.wago.com/756-9105/030-000

Downloads

Documentation

Manual

8-Channel Digital Input/Output; IO-Link Class A Hub

V 1.1.0

pdf

Download

Subject to changes. Please also observe the further product documentation!

WAGO GmbH & Co. KG

Hansastr. 27

32423 Minden

Phone: +49571 887-0 | Fax: +49571 887-169

Email: info.de@wago.com | Web: www.wago.com

Do you have any questions about our products?

We are always happy to take your call at +49 (571) 887-44222.



DC 24 V / 2.0 A; 8xM8 Connection; HubLine

2020年11月30日

2.8 MB

System Description

WAGO I/O System Field; General Product Information

pdf
708.2 kB

Download

Engineering-Software

WAGO IO-Link Configurator

WAGO IO-Link Configurator

V5.1.1-6015

ZIP

Download

WAGO IO-Link Configurator allows configuration, parameterization, operation and monitoring of WAGO IO-Link Masters in the WAGO I/O System 750 and WAGO I/O System Field, and especially of the WAGO IO-Link devices connected to them.

2021年8月24日

159.6 MB

Additionally, WAGO IO-Link Configurator can be used for complete configuration and operation of all IO-Link devices of third-party manufacturers, as long as they comply with the IO-Link specification. A product's process data can be visualized graphically and stored in trend curves. Up to eight elements can be selected for visualization, and the data can be recorded for up to 24 hours.

Device description files for the IO-Link Masters (IOLM) or IO-Link Devices (IODD) can be used to integrate new devices into the tool at any time. Convenient access to the IO-Link user organization's IODDfinder is available for the IODDs. This allows automated, selective download of IODDs when integrating new IO-Link devices. An integrated IODD viewer allows detailed insight into the IODD device description.

WAGO IO-Link Configurator can be used either as a standalone program or integrated into engineering systems with a TCI interface and WAGO-I/O-CHECK.

IO-Link Configurator can also be used to integrate the IO-Link Master (750-657) of the WAGO I/O System 750 Series and to access all the configurator's functions. This is made possible by the WAGO I/O System 750 IO-Link Adapter, which can be retrofitted. The WAGO I/O System 750 IO-Link Adapter requires the current version of WAGO IO-Link Configurator and a current version of WAGO-I/O-CHECK.

In addition, the download file contains the device descriptions for the respective fieldbus systems of the WAGO I/O System Field modules. These are pre-installed in the Configurator setup.

The WAGO IO-Link Configurator license is assigned to the specific PC on which it is installed (a workstation license).

Register now and test our engineering software for 30 days at no cost.

Runtime Software

Firmware

IO-Field 765-17xx Firmware Download

V 01

zip
341.3 kB

Download

WAGO_FW0765_17xx_V01000008_IX01.zip

CAD/CAE-Data

CAD data

Subject to changes. Please also observe the further product documentation!

WAGO GmbH & Co. KG

Hansastr. 27

32423 Minden

Phone: +49571 887-0 | Fax: +49571 887-169

Email: info.de@wago.com | Web: www.wago.com

Do you have any questions about our products?

We are always happy to take your call at +49 (571) 887-44222.



2D/3D Models 765-1702/200-000

[URL](#)

[Download](#)

CAE data

ZUKEN Portal 765-1702/200-000

[URL](#)

[Download](#)

Environmental Product Compliance

Compliance Search

Environmental Product Compliance 765-1702/200-000

[URL](#)

[Download](#)

8-channel digital input/output; IO Link Class A Hub; DC 24 V / 2.0 A; 8xM8 connection;
HubLine

Installation Notes

Product family

WAGO I/O System Field

[Show all products from the family](#)

Subject to changes. Please also observe the further product documentation!

WAGO GmbH & Co. KG

Hansastr. 27

32423 Minden

Phone: +49571 887-0 | Fax: +49571 887-169

Email: info.de@wago.com | Web: www.wago.com

Do you have any questions about our products?

We are always happy to take your call at +49 (571) 887-44222.